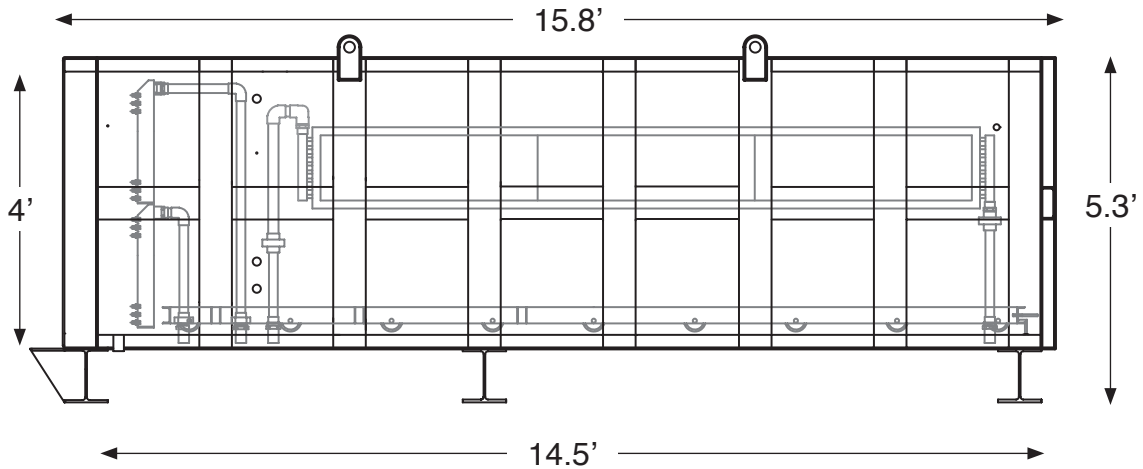


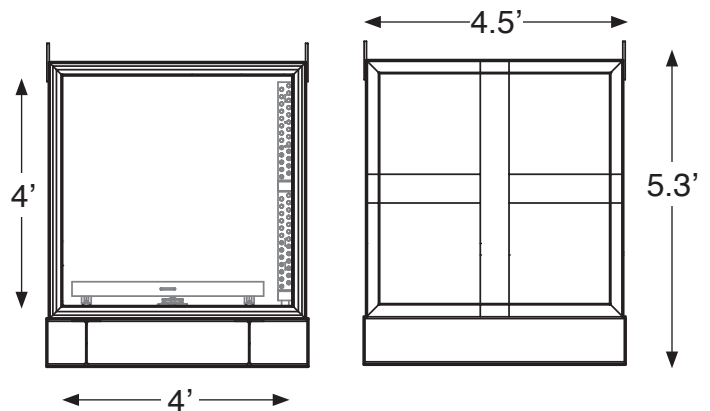
# Model VK1.25M: Specifications



Specifications	
Interior Width	4'
Interior Height	4'
Interior Length	14.5'
Clear Plate Length	13'
Plate Width	40"
Exterior Width	4.5'
Exterior Height	5.3'
Exterior Length	15.8'
Ext. Length (Incl.Rails and Winch)	33.5'
Shipping Weight	11,300 lbs
Combined Service Entrance	460V 20A
Boiler Input Requirement	30,000 BTUs
Minimum Cooling Requirement	6 Tons
Number of Plates	18

Projections	
BFT per layer (12' Length 8/4)	86.7
Layers per Load	17
Total BFT per Load	1,473
Drying Time (Hard Maple)	6 Days
Loads per Month	5
Total BFT per Month	7,365
Total BFT per Year	88,380
Electrical Usage per Load (\$)	\$15.94
Electrical Usage per Year	\$1,147.68
Cost of Electricity per BFT	\$0.01

Energy Requirements	
Electricity per Load	261.3 kW
Cost of kW per Load	\$15.94
BTU per Load	2,763,716
Avg. BTU/Hour	38,385
Vacuum Pump Elec. Usage	460V / 7.6A
Hot Water Pump Usage	460V / 1.4A
CT Pump Usage	115V / 2.5A
Water Circulation Pump Usage	115V / 4.5A
CT Fan Motor Usage	230V / 2.2A



**Note:** Projections and Energy Requirements based on drying Hard Maple.