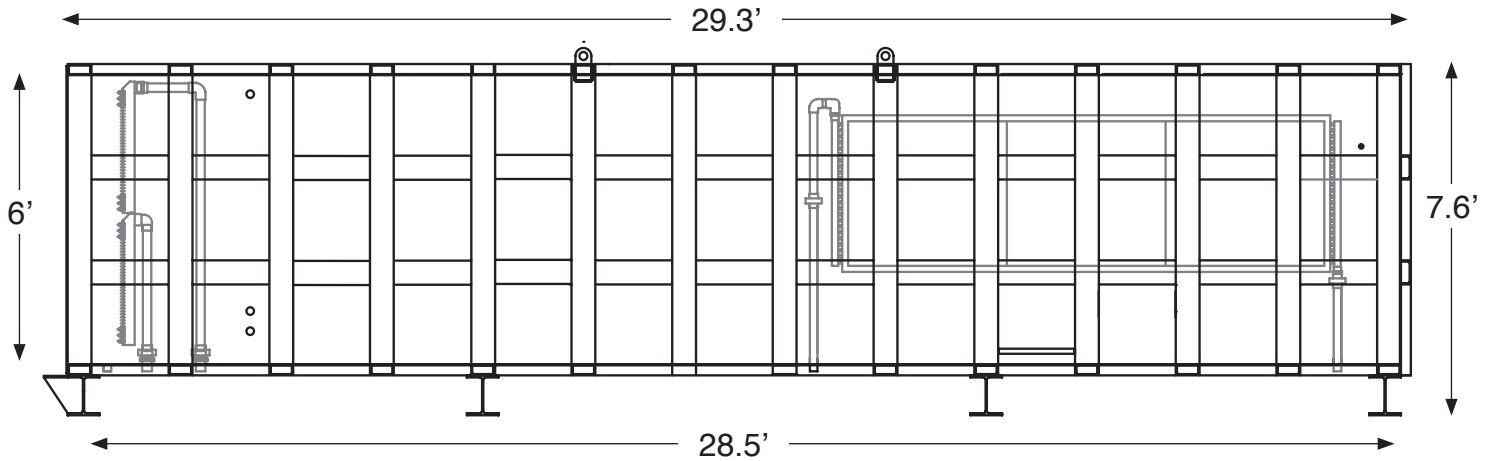


# Model VK4.0M: Specifications



## Specifications

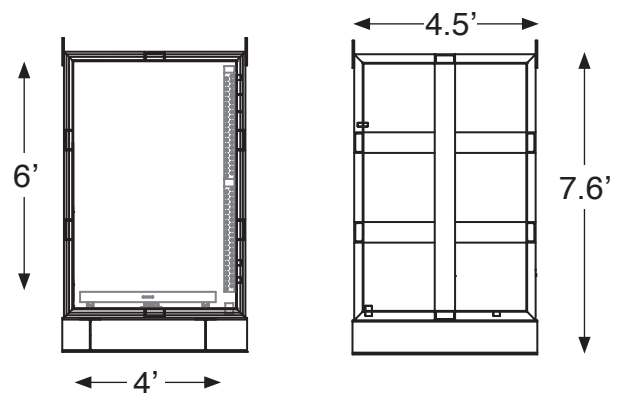
Interior Width	4'
Interior Height	6'
Interior Length	28.5'
Clear Plate Length	26'
Plate Width	40"
Exterior Width	4.5'
Exterior Height	7.6'
Exterior Length	29.3'
Ext. Length (Incl.Rails and Winch)	57.5'
Shipping Weight	28,721 lbs
Combined Service Entrance	460V 20A
Boiler Input Requirement	140,000 BTUs
Minimum Cooling Requirement	15 Tons
Number of Plates	27

## Projections

BFT per layer (8/4)	173.3
Layers per Load	26
Total BFT per Load	4,505
Drying Time (Hard Maple)	6 Days
Loads per Month	5
Total BFT per Month (Net)	22,525
Total BFT per Year	270,300
Electrical Usage per Load (\$)	\$27.35
Electrical Usage per Year	\$1,969.20
Cost of Electricity per BFT	\$0.007

## Energy Requirements

Electricity per Load	448.4 kW
Cost of kW per Load	\$27.35
BTU per Load	8,503,743
Avg. BTU/Hour	118,108
Vacuum Pump Elec. Usage	460V / 11A
Hot Water Pump Usage	460V / 3A
CT Pump Usage	115V / 7.2A
Water Circulation Pump Usage	115V / 4.5A
CT Fan Motor Usage	230V / 2.9A



**Note:** Projections and Energy Requirements based on drying Hard Maple.