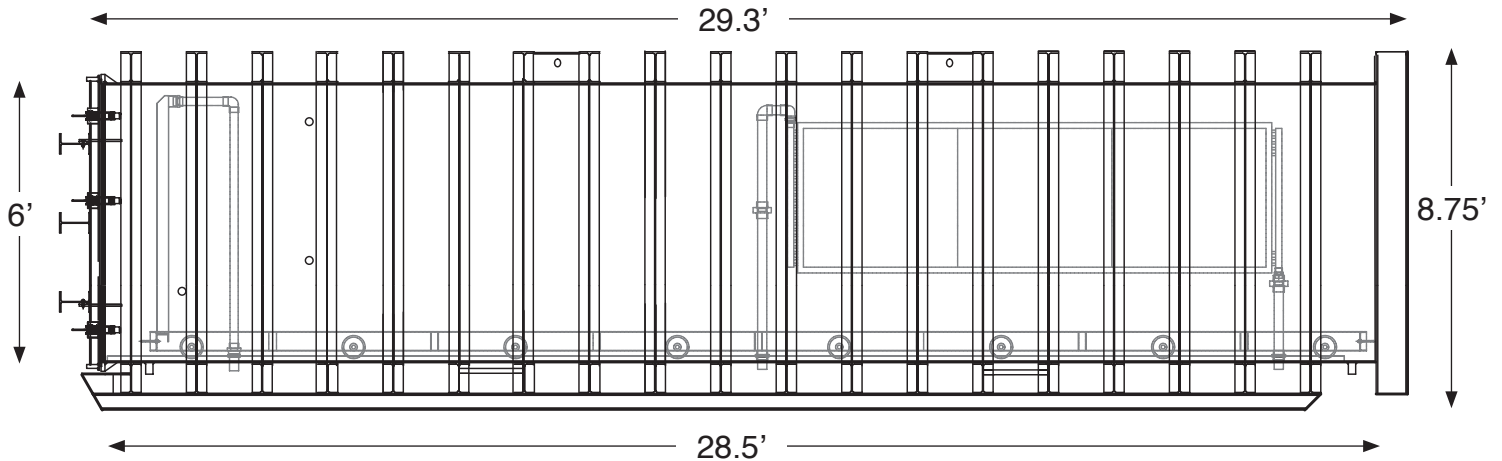


# Model VK8.0M: Specifications



## Specifications

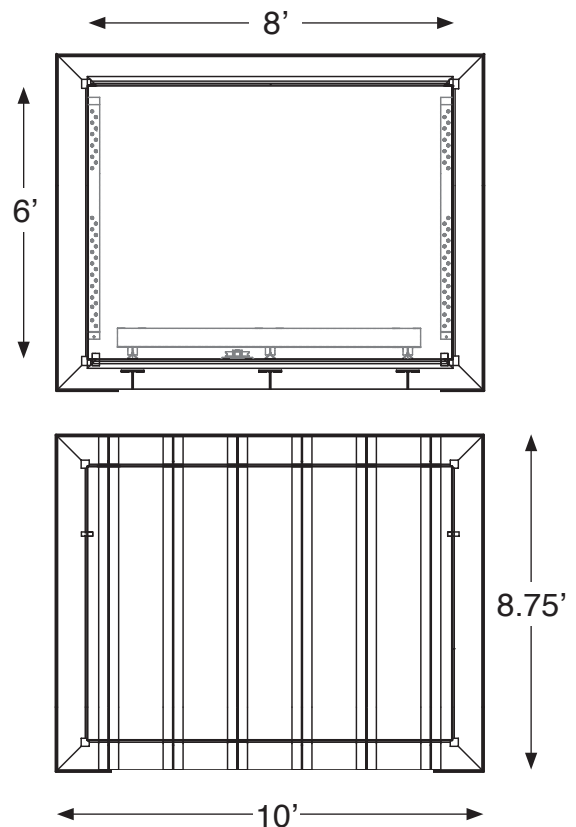
Interior Width	8'
Interior Height	6'
Interior Length	28.5'
Clear Plate Length	26'
Plate Width	80"
Exterior Width	10'
Exterior Height	8.75'
Exterior Length	29.3'
Ext. Length (Incl.Rails and Winch)	57.5'
Shipping Weight	44,800 lbs
Combined Service Entrance	460V 40A
Boiler Input Requirement	280,000 BTUs
Minimum Cooling Requirement	20 Tons
Number of Plates	54

## Projections

BFT per layer (8/4)	346.7
Layers per Load	26
Total BFT per Load	9,014
Drying Time (Hard Maple)	6 Days
Loads per Month	5
Total BFT per Month (Net)	45,070
Total BFT per Year	540,840
Electrical Usage per Load (\$)	\$47.81
Electrical Usage per Year	\$3,442.32
Cost of Electricity per BFT	\$0.006

## Energy Requirements

Electricity per Load	783.9 kW
Cost of kW per Load	\$47.81
BTU per Load	17,007,485
Avg. BTU/Hour	236,215
Vacuum Pump Elec. Usage	460V / 20A
Hot Water Pump Usage	460V / 5A
CT Pump Usage	115V / 7.2A
Water Circulation Pump Usage	115V / 6.9A
CT Fan Motor Usage	230V / 2.9A



**Note:** Projections and Energy Requirements based on drying Hard Maple.